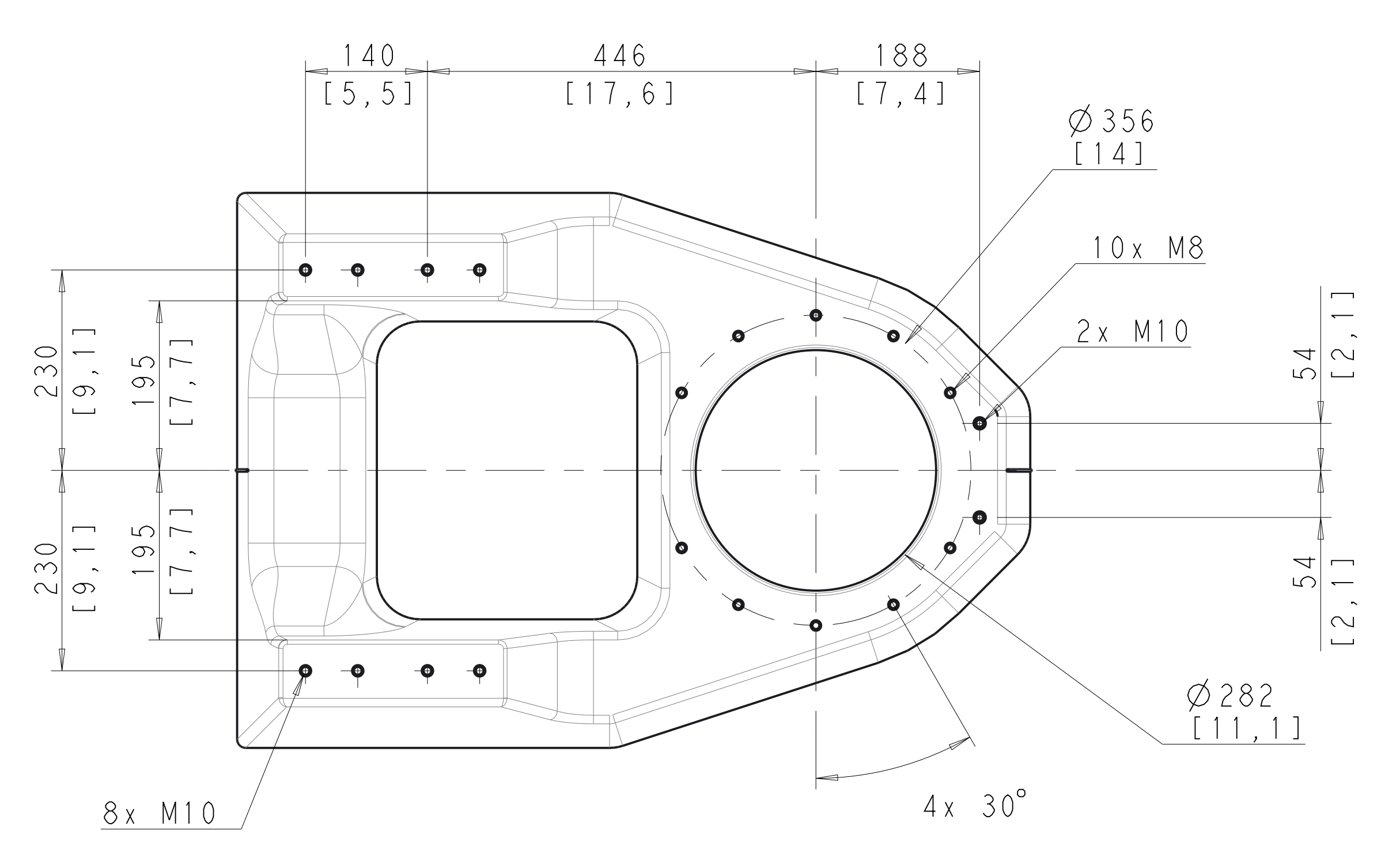
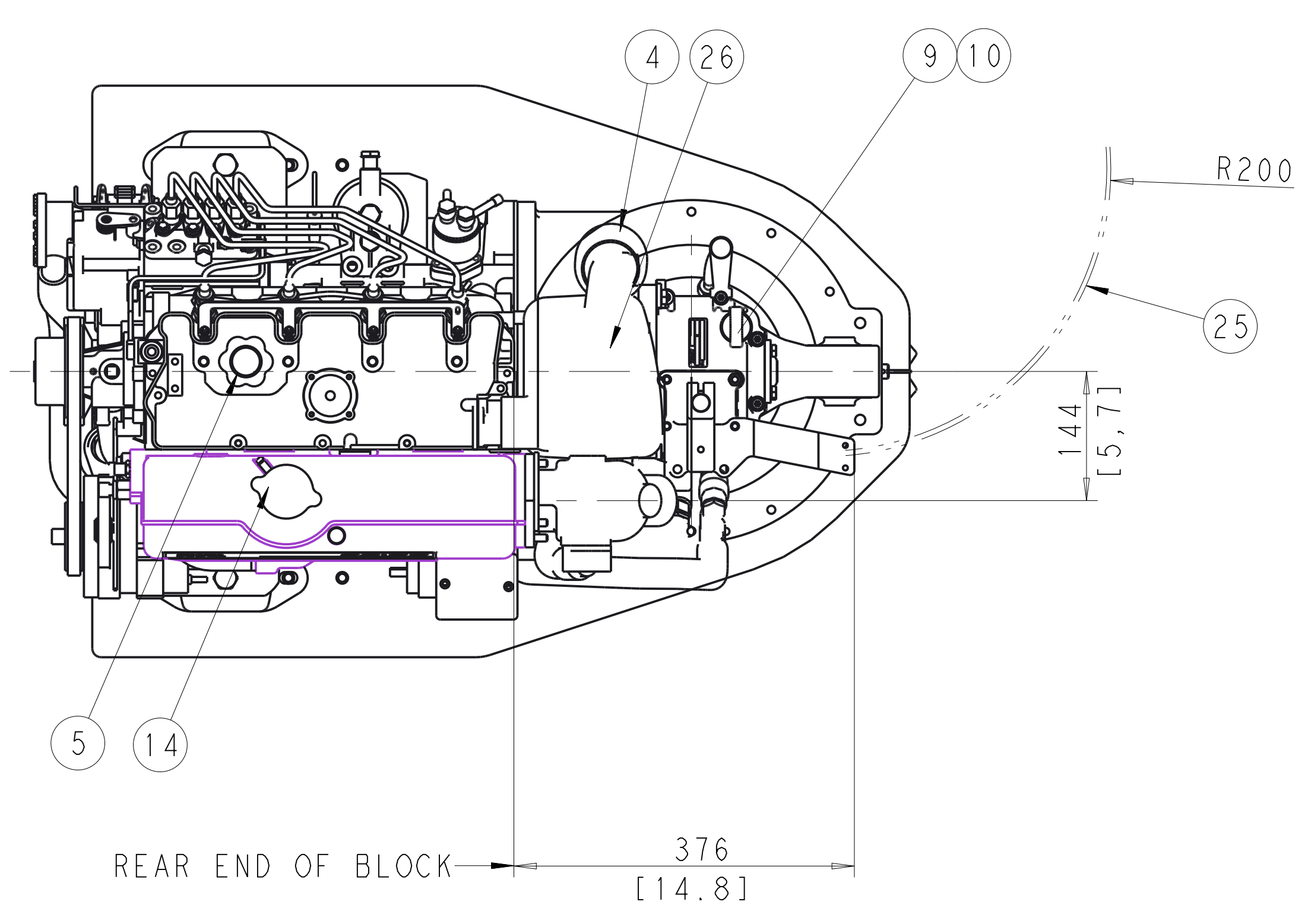


- (K) LOWER EDGE TO BE CUT ACC. TO HULL FORM
- α REF POINT. SEE INST HANDBOOK PUBL No 5292
- 1 LIFTING EYE
- 3 EXHAUST ELBOW FOR HOSE I.D 57
- 4 AIR FILTER
- 5 OIL FILLING
- 6 OIL DIPSTICK ENGINE
- 7 OIL FILTER
- 8 OIL DRAIN FOR PUMP, ENGINE
- 9 OIL DIPSTICK S-DRIVE
- 10 OIL FILLER CAP S-DRIVE
- 11 OIL DRAIN S-DRIVE
- 12 WATER INLET
- 13 SEA WATER PUMP
- 14 WATER FILLER CAP FRESH WATER
- 15 HEAT WATER OUTLET
- 16 HEAT WATER INLET
- 17 FUEL CONNECTION FOR HOSE I.D 9
- 18 FUEL RETURN CONNECTION FOR HOSE I.D 9
- 19 FUEL FILTER
- 20 SPEED CONTROL LEVER
- 21 CONNECTION BOX FOR EXTENSION CABLE
- 22 BATTERY MINUS (-) CONNECTION
- 23 PLUS (+) CONNECTION FOR CHARGING DISTRIBUTOR
- 24 STARTER BATTERY PLUS (+) CONNECTION
- 25 CONTROL CABLE
- 26 AIR INLET SILENCER
- 27 WATER DRAIN, FRESH WATER
- 28 WATER DRAIN, SEA WATER



SCALE 1:5