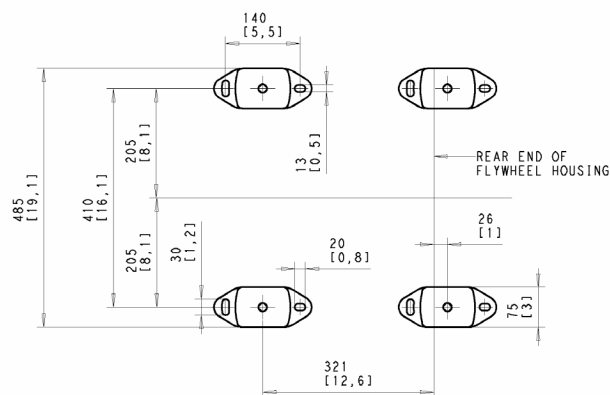
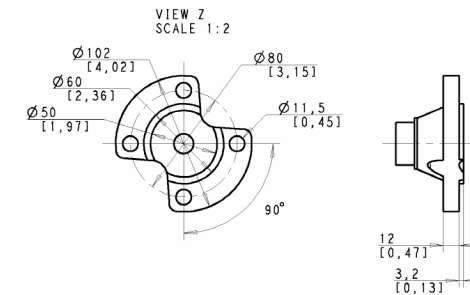
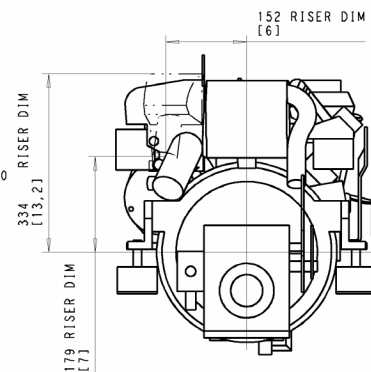
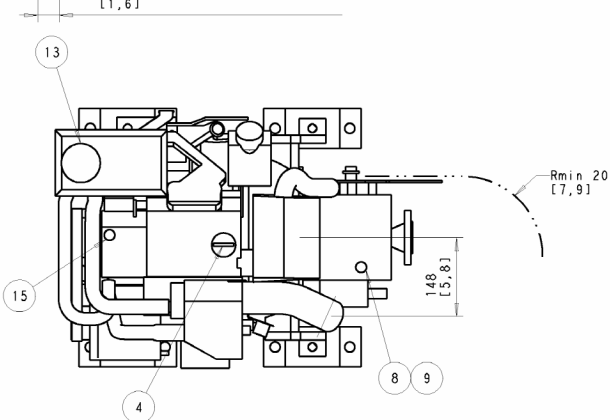
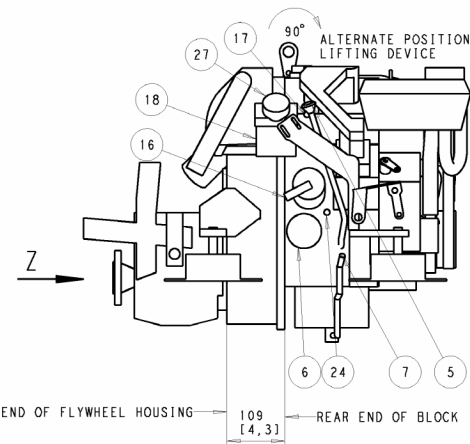
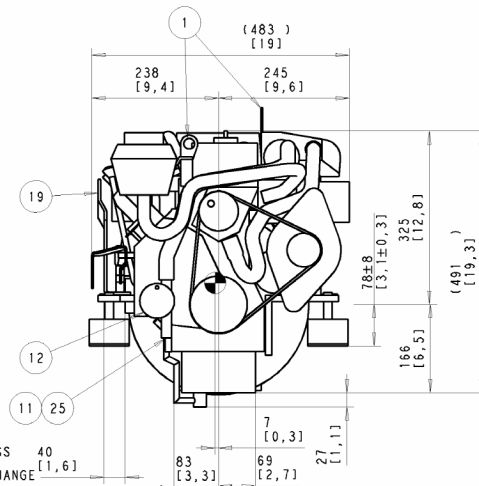
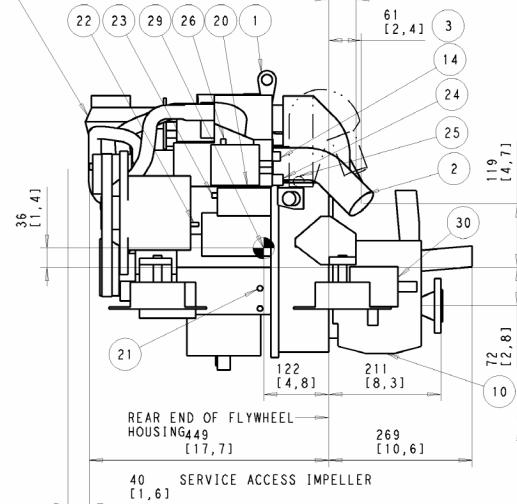


EXPANSION TANK CAN BE BULK HEAD MOUNTED
THEN USE HOSE Ø7.5 943366 AND Ø16 952969 51 RISER DIM [2]



Engineering Release (EM)	Location	Change description	P/A:	Modified:	Document release status
			D: 1.3	Modified: NO	RELEASED
					Date
					Modification count

SCALE 1:5
OIL CAPACITY INCLUDING OIL FILTER: 1,9 LITERS
FRESHWATER SYSTEM CAPACITY: 2,7 LITERS
WEIGHTS:
DRY 111 kg
OIL & WATER 116 kg
DIMENSION IN MILLIMETRES AND [INCHES]

NR	ITEM
1	LIFTING DEVICE
2	EXHAUST ELBOW FOR HOSE I.D 45[1,75]
3	AIR FILTER (SILENCER)
4	OIL FILLING
5	OIL DIPSTICK ENGINE
6	OIL FILTER
7	OIL DRAIN (WITH PUMP) ENGINE I.D 8 [0,35]
8	OIL DIPSTICK REVERSE GEAR
9	OIL FILLER CAP REVERSE GEAR
10	OIL DRAIN REVERSE GEAR
11	SEAWATER INLET FOR HOSE I.D 19[0,75]
12	SEA WATER PUMP
13	WATER FILLER CAP FRESH WATER
14	HOTWATER OUTLET
15	HOTWATER INLET
16	FUEL CONNECTION FOR HOSE I.D 10 [3/8]
17	FUEL RETURN CONNECTION FOR HOSE I.D 10 [3/8]
18	FUEL FILTER
19	SPEED CONTROL LEVER
20	CONNECTION BOX FOR EXTENSION CABLE
21	BATTERY MINUS (-) CONNECTION
22	PLUS (B+) CONNECTION FOR CHARGING DISTRIBUTOR
23	STARTER BATTERY PLUS (+) CONNECTION
24	WATER DRAIN FRESH WATER
25	WATER DRAIN SEAWATER
26	AUTOMATIC FUSE RESET
27	HAND PRIMER PUMP
28	RISER (OPTIONAL)
29	CENTRE OF GRAVITY
30	OIL COOLER REVERSE GEAR, DO NOT CONNECT

<p>The copying, distribution and utilization of this document as well as the communication of its contents to others without expressed authorization is prohibited. Offenders will be held liable for payment of damages. All rights reserved to the extent of the laws in the field of patent, utility and/or trademark design registration.</p>	<p>SYMBOLS, DESIGNATIONS AND GENERAL DRAWING METHODS STD 101-0005</p>	
	<p>Document title ENGINE DIMENSIONS D1-13/MS15L</p>	
	<p>Document type DIMENSION DRAWING</p>	
	<p>Document No 22128773</p>	
	<p>Issue codes 01</p>	<p>Sheet No 1(1)</p>